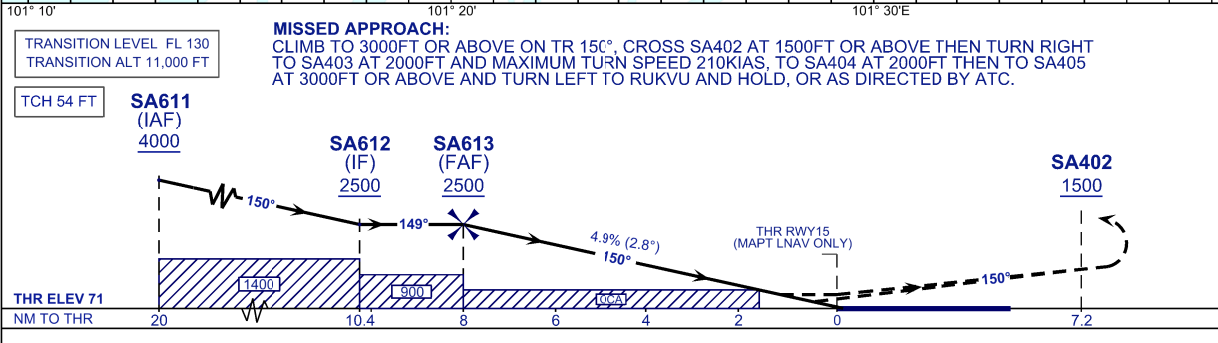
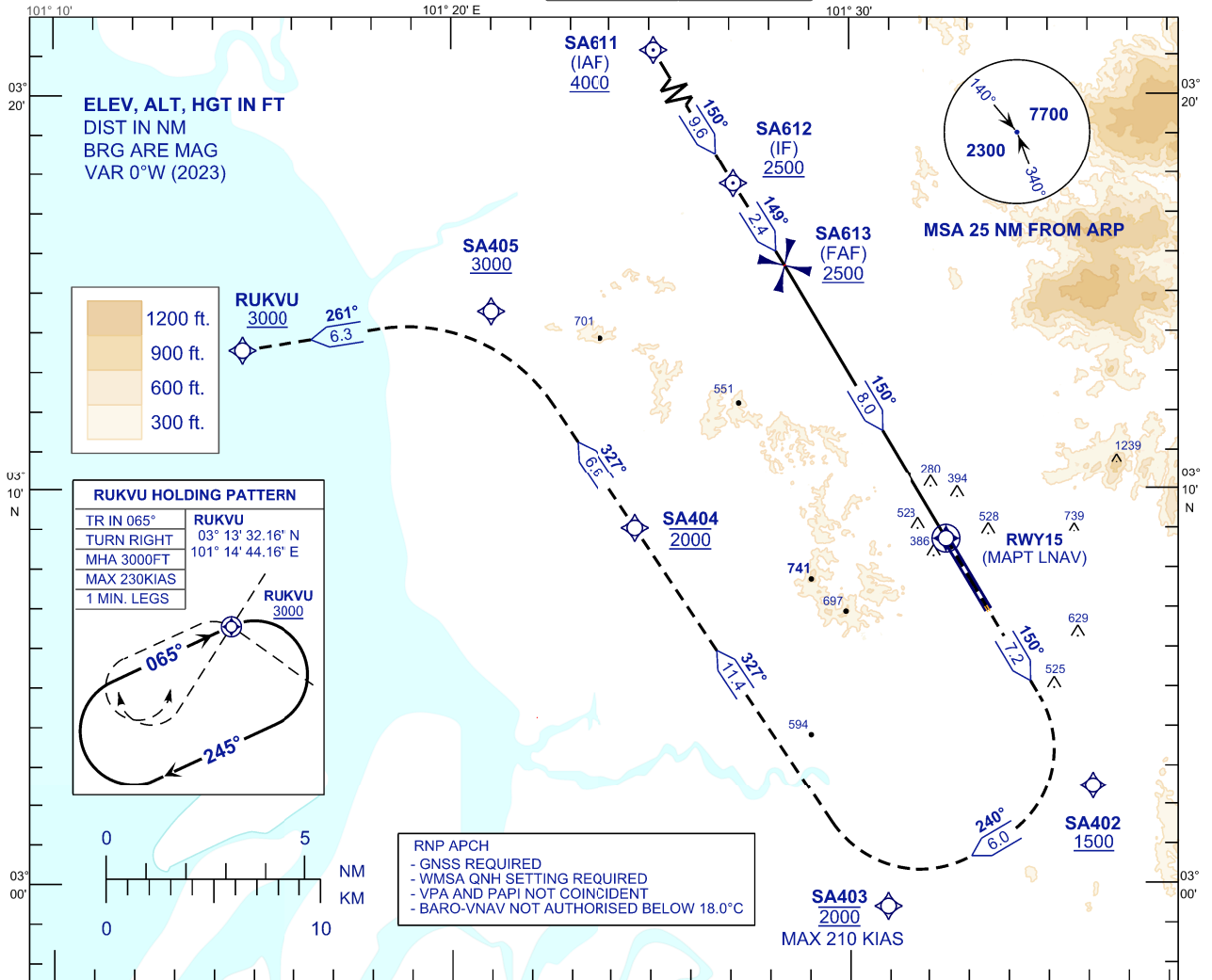


**INSTRUMENT  
APPROACH  
CHART - ICAO**

**AERODROME ELEV 89FT**  
HEIGHT RELATED TO  
THR RWY 15 - ELEV 71FT

APP	118.65	ACD	120.45
	124.20	SMC	121.90
	135.25	TWR	118.20
FIS	126.10	ATIS	127.60

**SUBANG/SULTAN ABDUL  
AZIZ SHAH (WMSA)  
RNP Y RWY 15**



		ALTITUDE /HEIGHT ON FINAL APPROACH							
		8.0	7.0	6.0	5.0	4.0	3.0	2.0	1.0
STRAIGHT IN APPROACH	OCA (H)	A	B	C	D				
	LNNAV	780 (709)							
	LNNAV/VNAV	670 (599)							
DIST THR RWY15 (NM)		8.0	7.0	6.0	5.0	4.0	3.0	2.0	1.0
AI TITLUDF (FT)		2500	2214	1917	1620	1323	1026	719	422
GROUND SPEED (KT)		80	100	120	140	160	180		
SA613 - THR15(8.0NM) (MIN:SEC)		6:00	4:48	4:00	3:26	3:00	2:40		
RATE OF DESCEND (4.9%) (FT/MIN)		400	500	590	690	790	890		

NEW CHART