

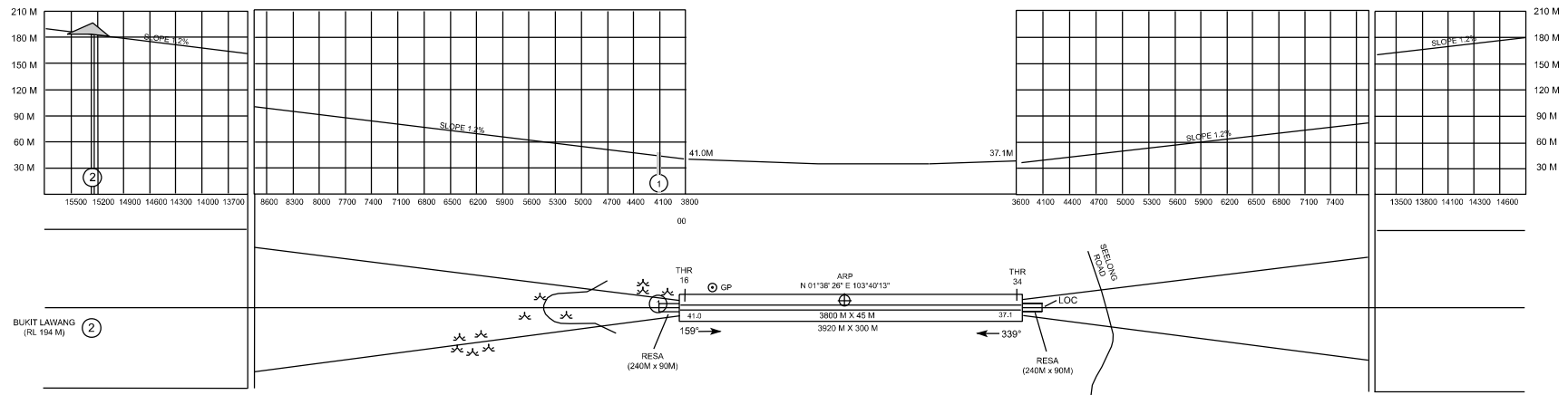
**AERODROME OBSTACLE CHART - ICAO**  
**TYPE A (OPERATING LIMITATIONS)**

**JOHOR BAHRU /**  
**SENAI INTERNATIONAL AIRPORT**

DIMENSIONS & ELEVATIONS IN METRES  
MAGNETIC VARIATION : 0° E 2019

**RUNWAY 16 / 34**

DECLARED DISTANCES		
RUNWAY 16		RUNWAY 34
3800 M	TAKE OFF RUN AVAILABLE	3800 M
3800 M	TAKE OFF DISTANCE AVAILABLE	3800 M
3800 M	ACCELERATE STOP DISTANCE AVAILABLE	3800 M
3800 M	LANDING DISTANCE AVAILABLE	3800 M



LEGEND		
1	GP ANTENNA MAST	⊙
2	ROAD	—
3	IDENTIFICATION NUMBER	②
4	SPOT HEIGHT IN METERS	○
5	TREE OR SHRUB	✻
6	TERRAIN PENETRATING OBSTRUCTION PLANE	▲

AMENDMENT RECORD		
NO.	DATE	ENTERED BY
1		
2		
3		

CHANGES : AMEND BEARINGS FOR BOTH RUNWAY.