

**AERODROME/HELIPORT
CHART - ICAO**

03° 12' 05" N
115° 24' 06" E

ELEV 431 M

LONG BANGA/LONG BANGA AIRPORT

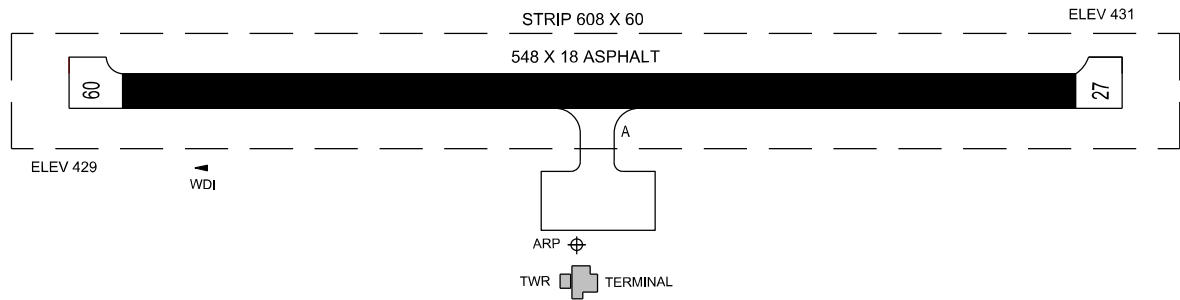
RWY	DIRECTION	THR	BEARING STRENGTH
09	92° T	03° 12' 08.24" N 115° 23' 58.06" E	PCN 12/F/C/Y/U ASPHALT
27	272° T	03° 12' 07.57" N 115° 24' 15.80" E	

INS COORDINATES FOR AIRCRAFT STANDS	BEARING STRENGTH	AIRCRAFT TYPE
1 03° 12' 05.70" N 115° 24' 06.76" E	NIL	DHC-6

ELEVATIONS AND DIMENSIONS IN METRES
BEARINGS ARE MAGNETIC



ANNUAL RATE OF CHANGE -0.07°



TAXIWAY A 15M WIDE
BEARING STRENGTH TWY A NIL

