

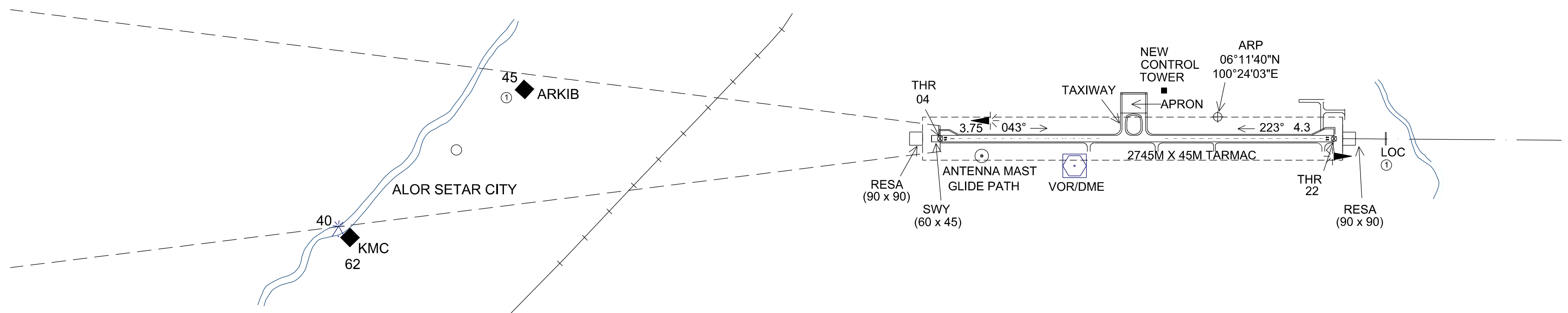
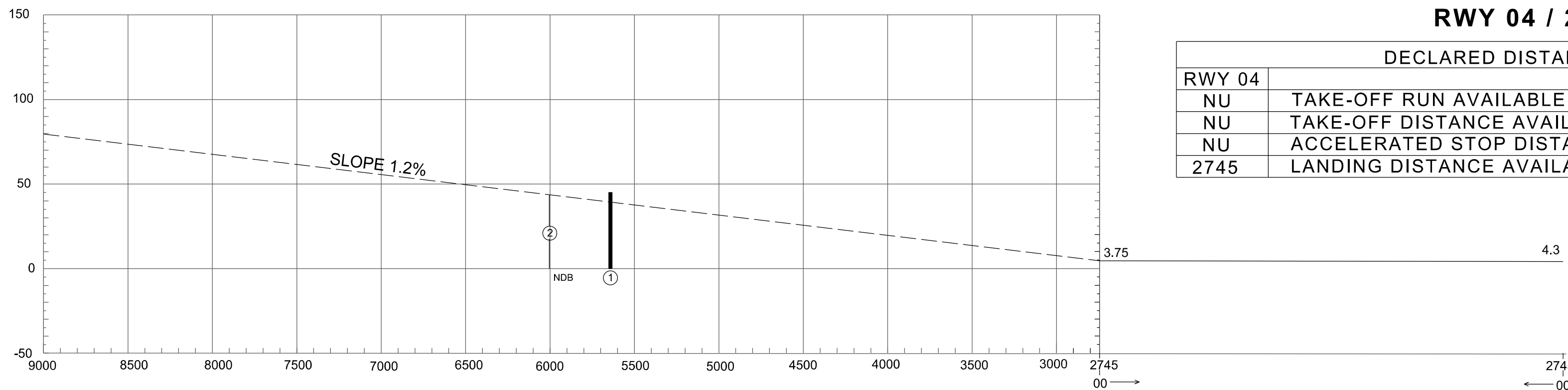
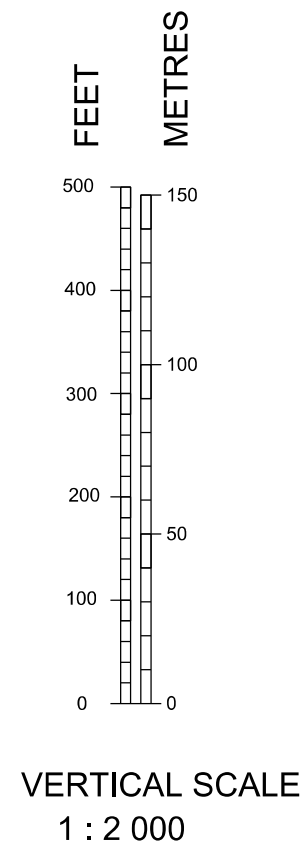
AERODROME OBSTACLE CHART - ICAO TYPE A (OPERATING LIMITATIONS)

**ALOR SETAR/
SULTAN ABDUL HALIM AIRPORT**

DIMENSIONS & ELEVATIONS IN METRES
MAGNETIC VARIATION: 0° W (2018)

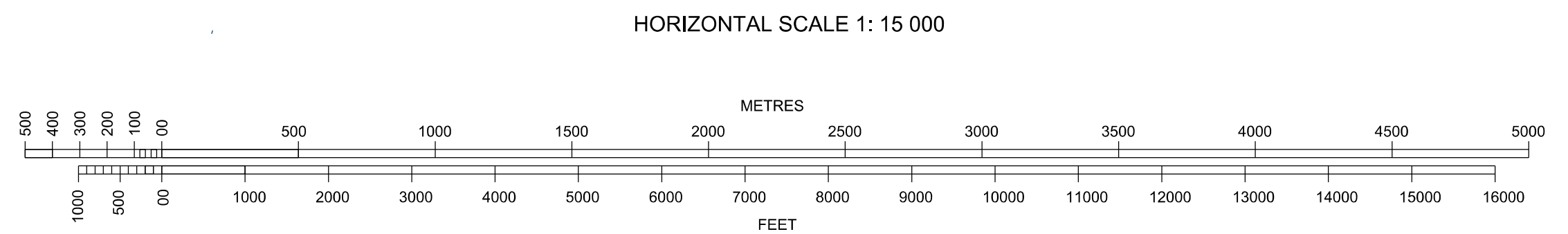
RWY 04 / 22

DECLARED DISTANCES		
RWY 04		RWY 22
NU	TAKE-OFF RUN AVAILABLE	2745
NU	TAKE-OFF DISTANCE AVAILABLE	2745
NU	ACCELERATED STOP DISTANCE AVAILABLE	2745
2745	LANDING DISTANCE AVAILABLE	2745



LEGEND		
1	ARP (06°11'40"N, 100°44'03"E)	⊕
2	WDI	▶
3	VOR/DME	⊠
4	GP ANTENNA MAST	⊙
5	IDENTIFICATION NUMBER	①
6	TERRAIN	⬭

7	BUILDING OR LARGE STRUCTURE	■
8	DUAL HIGHWAY	≡
9	RAIL ROAD	—+—+—+—
10	LIGHTED OBSTACLE	✦
11	RIVER	⬭



ORDER OF ACCURACY
HORIZONTAL 01M
VERTICAL 0.5M

**CHANGES : ASDA VALUE FOR RWY22
LDA VALUE FOR RWY22**