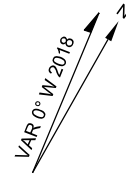


**AERODROME/GROUND  
MOVEMENT CHART - ICAO**

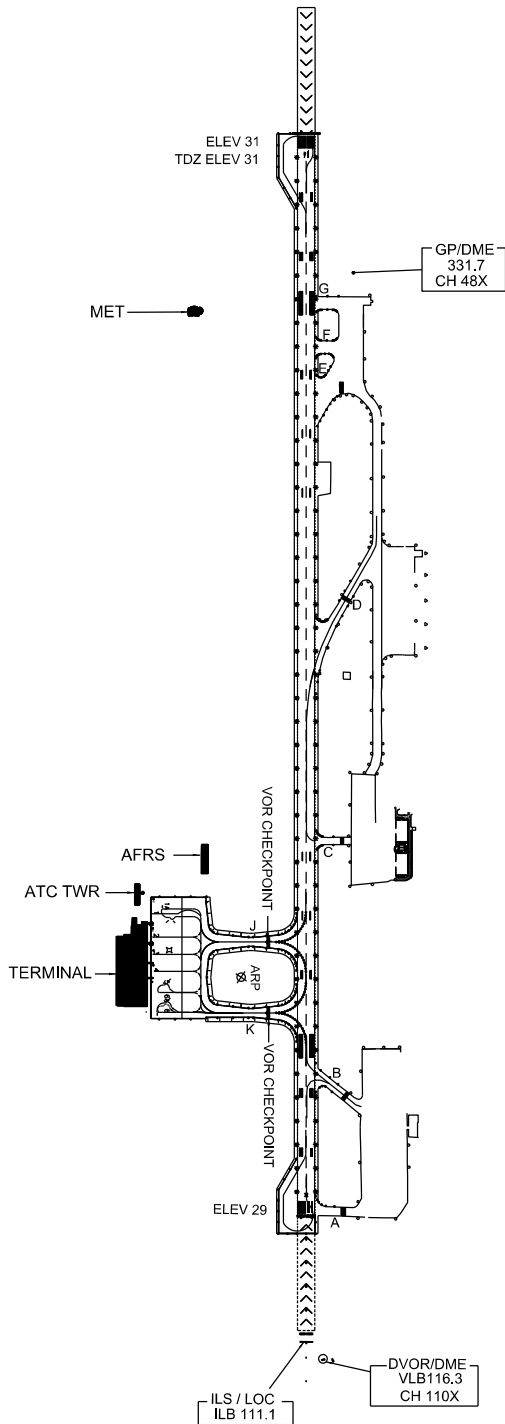
APRON ELEV 27 M

SMC 118.35, 235.1  
TWR 118.10, 238.1  
APP 119.7, 249.3  
ATIS 126.85

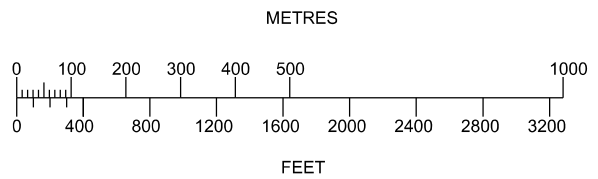
**LABUAN/  
LABUAN AIRPORT**



ANNUAL RATE OF CHANGE 4' W  
ELEVATIONS AND DIMENSION  
IN METRES  
BEARINGS ARE MAGNETIC



TAXIWAYS J AND K 23 M WIDE  
BEARINGS STRENGTH TWY J AND K PCN 79/F/C/X/T  
TAXIWAY EDGE LIGHTS ON TWY J AND K  
EXIT TAXIWAY CENTRELINE LIGHTS ON TWY J AND K



LEGEND	
CONCRETE STRUCTURE	▬
RUNWAY- HOLDING POSITION	▬▬▬
RUNWAY LIGHT	*
TAXIWAY LIGHT	o

CHANGES : CHANGE APRON ELEVATION TO NEAREST METRE