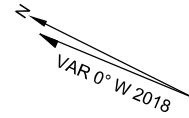


**AIRCRAFT PARKING/
DOCKING CHART - ICAO**

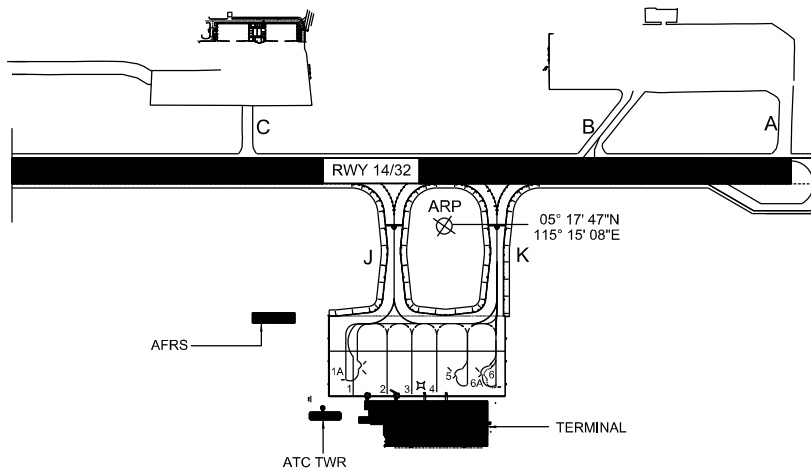
APRON ELEV 27 M

SMC 118.35, 235.1
TWR 118.10, 238.1
APP 119.7, 249.3
ATIS 126.85

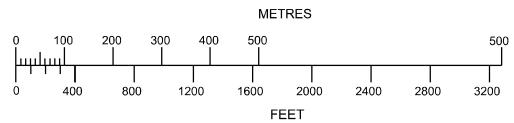
**LABUAN/
LABUAN AIRPORT**



ANNUAL RATE OF CHANGE 4' W
ELEVATIONS AND DIMENSION
IN METRES
BEARINGS ARE MAGNETIC



TAXIWAYS J AND K 23 M WIDE
BEARINGS STRENGTH TWY J AND K PCN 79/F/C/X/T
AIRCRAFT STAND 1 SAFEGATE EQUIPPED
AIRCRAFT STANDS 2 TO 4 FMT APIS++ EQUIPPED



AIRCRAFT PARKING / DOCKING STAND POSITION

	INS COORDINATES FOR AIRCRAFT STANDS		SURFACE & STRENGTH	AIRCRAFT TYPE
1	05° 17' 45.45" N	115° 14' 57.35" E	PCN 74/R/C/W/T	A333, B738, A322
1A	05° 17' 45.79" N	115° 14' 58.52" E	PCN 74/R/C/W/T	A322
2	05° 17' 44.01" N	115° 14' 58.82" E	PCN 74/R/C/W/T	A322, B738
3	05° 17' 42.67" N	115° 14' 59.37" E	PCN 74/R/C/W/T	A322, B738
4	05° 17' 41.57" N	115° 15' 0.12" E	PCN 74/R/C/W/T	A322, B738
5	05° 17' 40.82" N	115° 15' 1.11" E	PCN 74/R/C/W/T	ATR 72
6	05° 17' 39.46" N	115° 15' 2.05" E	PCN 74/R/C/W/T	ATR 72
6A	05° 17' 39.85" N	115° 15' 2.19" E	PCN 74/R/C/W/T	A322

LEGEND	
AIRCRAFT STAND	6
TAXIWAY LIGHT	•
RUNWAY-HOLDING POSITION	▬
CONCRETE STRUCTURE	⌘

CHANGES : CHANGE APRON ELEVATION TO NEAREST METRE