

AERODROME OBSTACLE CHART - ICAO

TYPE A (OPERATING LIMITATIONS)

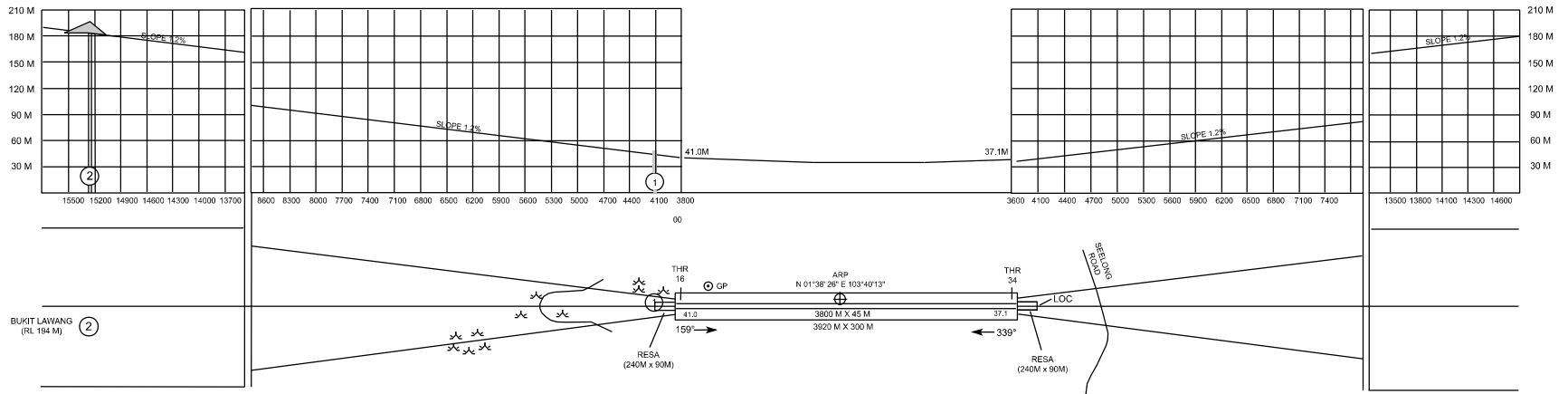
**JOHOR BAHRU /
SENAI INTERNATIONAL AIRPORT**

DIMENSIONS & ELEVATIONS IN METRES
MAGNETIC VARIATION : 0° E 2019

RUNWAY 16 / 34

DECLARED DISTANCES

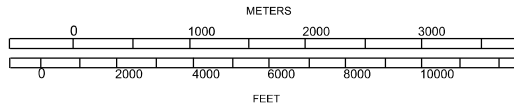
RUNWAY 16		RUNWAY 34
3800 M	TAKE OFF RUN AVAILABLE	3800 M
3800 M	TAKE OFF DISTANCE AVAILABLE	3800 M
3800 M	ACCELERATE STOP DISTANCE AVAILABLE	3800 M
3800 M	LANDING DISTANCE AVAILABLE	3800 M



LEGEND

1	GP ANTENNA MAST	⊙
2	ROAD	~
3	IDENTIFICATION NUMBER	②
4	SPOT HEIGHT IN METERS	○
5	TREE OR SHRUB	🌳
6	TERRAIN PENETRATING OBSTRUCTION PLANE	▾

HORIZONTAL SCALE



AMENDMENT RECORD

NO.	DATE	ENTERED BY
1		
2		
3		

CHANGES : AMEND BEARINGS FOR BOTH RUNWAY.